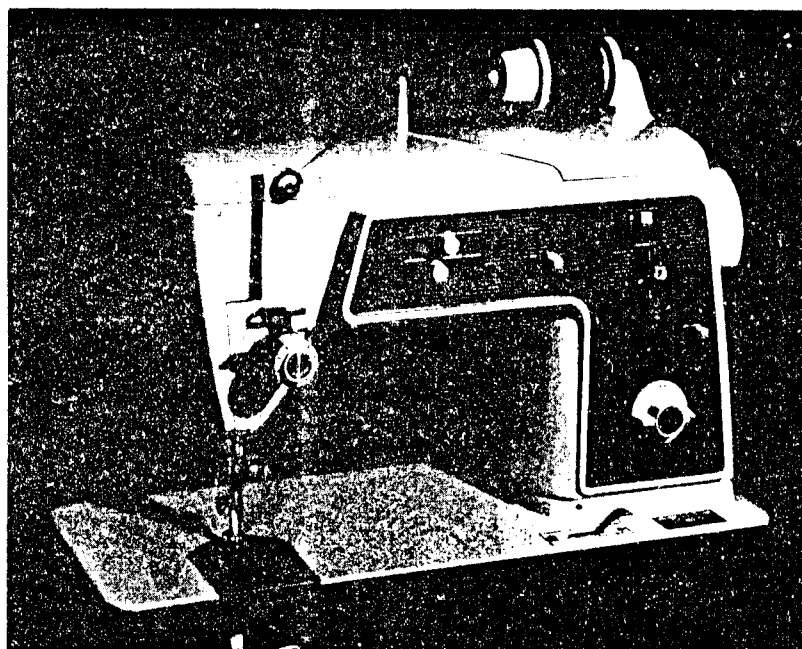


SINGER
645E3/645E6/645E7

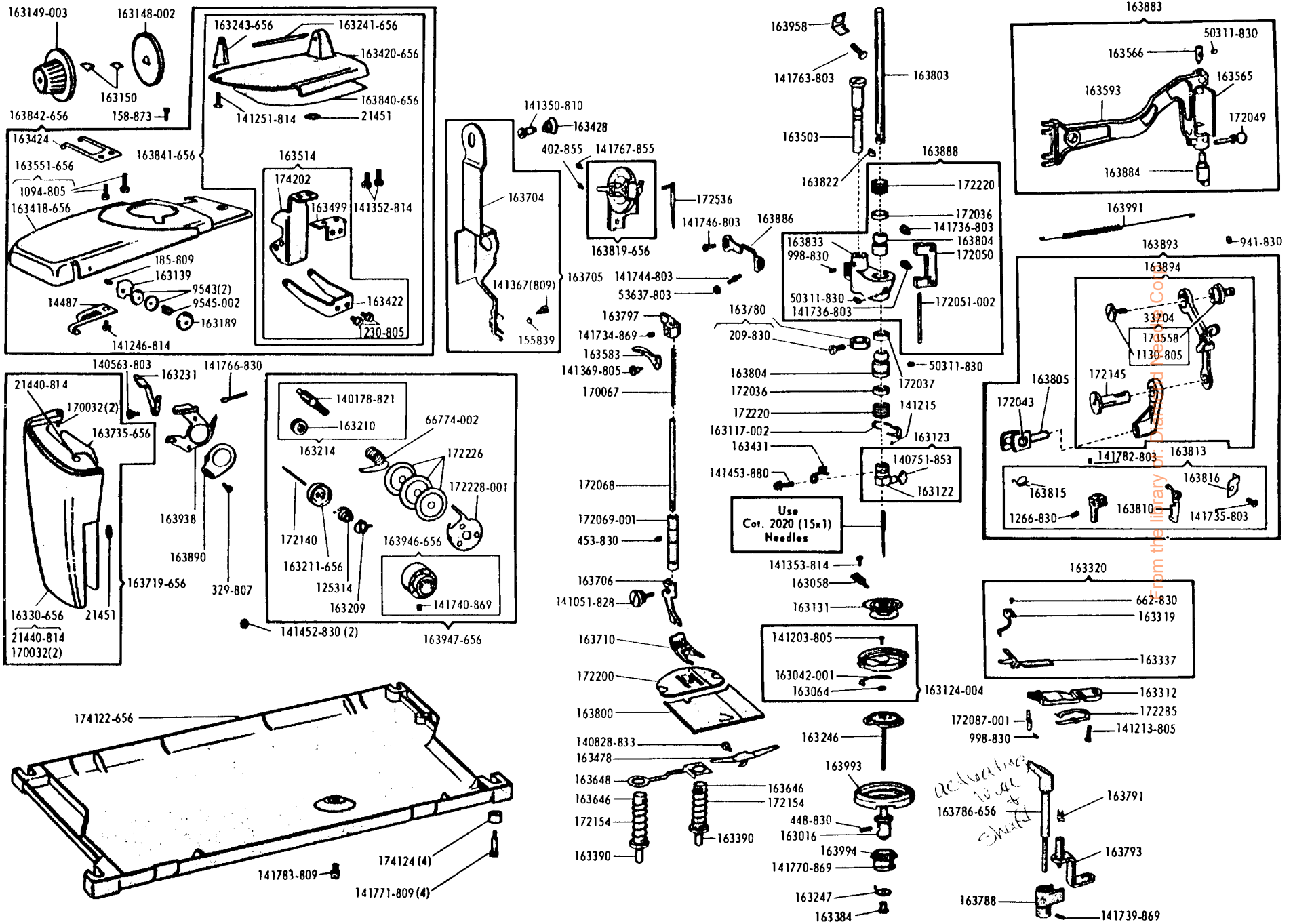
List of Parts—Machines Nos. 645E3, 645E6 and 645E7



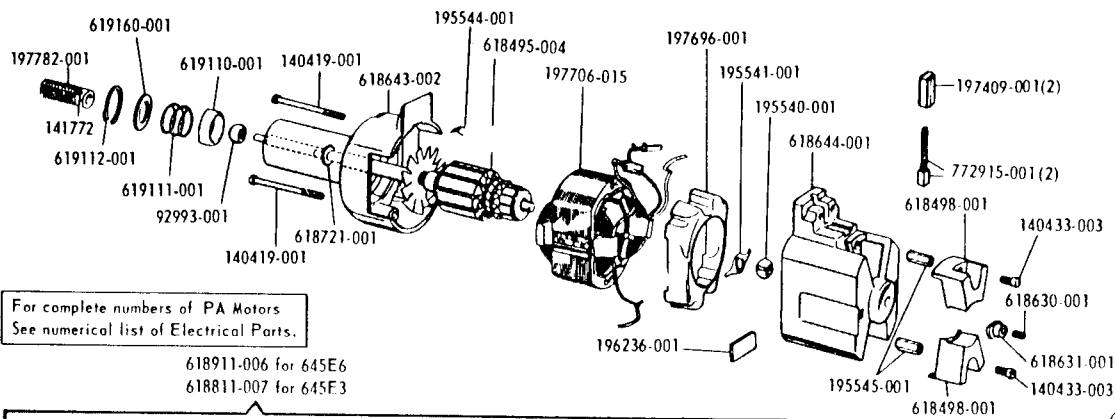
ATTACHMENT SET 171100

- 21906 Chainstitch Attachment Loop Retainer Disc
- 21913 Chainstitch Attachment Throat Plate
- 161133 Tube of Oil
- 161166 Zipper Foot
- 161168 Presser Foot for button sewing
- 161172 Seam Guide
- 161276 Lint Brush
- 161917 Presser Foot Plate (snap-on, plastic) for sewing buttonholes
- 161919 Presser Foot Plate (snap-on), for straight sewing
- 161921 Presser Foot Plate (snap-on, slotted) for Overedging; for use with Disc No. 163369
- 161960 Glassine Envelope containing two needle threader hooks and Instruction Form 21632
- 163131 Bobbin (3)
- 163242-656 Spool Pin for two needle sewing; Disc No. 22, for Stretch Stitch, for stitching stretch material, for use with No. 161921
- 163369
- 163455 Chainstitch Attachment Thread Guide
- 163483 Special Purpose Presser Foot
- 171099-656 Attachment Box
- 172185 Disc No. 1, for Arrowhead Stitch
- 172187 Disc No. 2, for Scallop Stitch
- 172189 Disc No. 3, for Diamond Stitch
- 172190 Disc No. 4, for Solid Scallop Stitch
- 172191 Disc No. 5, for Banner Stitch
- 172229 Disc No. 6, for Crescent Stitch
- 172230 Disc No. 7, for Icicle Stitch
- 174529 Throat Plate, for straight sewing
- 174534 Disc No. 12, for Domino Stitch
- 174535 Disc No. 13, for Fagoting Stitch
- 174536 Disc No. 14, for Comb Stitch
- 174537 Disc No. 15, for Thunderbird Stitch
- 174539 Disc No. 19, for Block Stitch
- 174540 Disc No. 11, for Ribbon Stitch
- 174546 Disc No. 20, for Walls of Troy Stitch
- 174547 Disc No. 21, for Chevron Stitch
- Needle Cat. 2020 Size 14 (3)
- Needle Cat. 2020 Size 16 (3)
- Twin Needle Cat. 2028 Size 14

List of Parts—Machines Nos. 645E3, 645E6 and 645E7

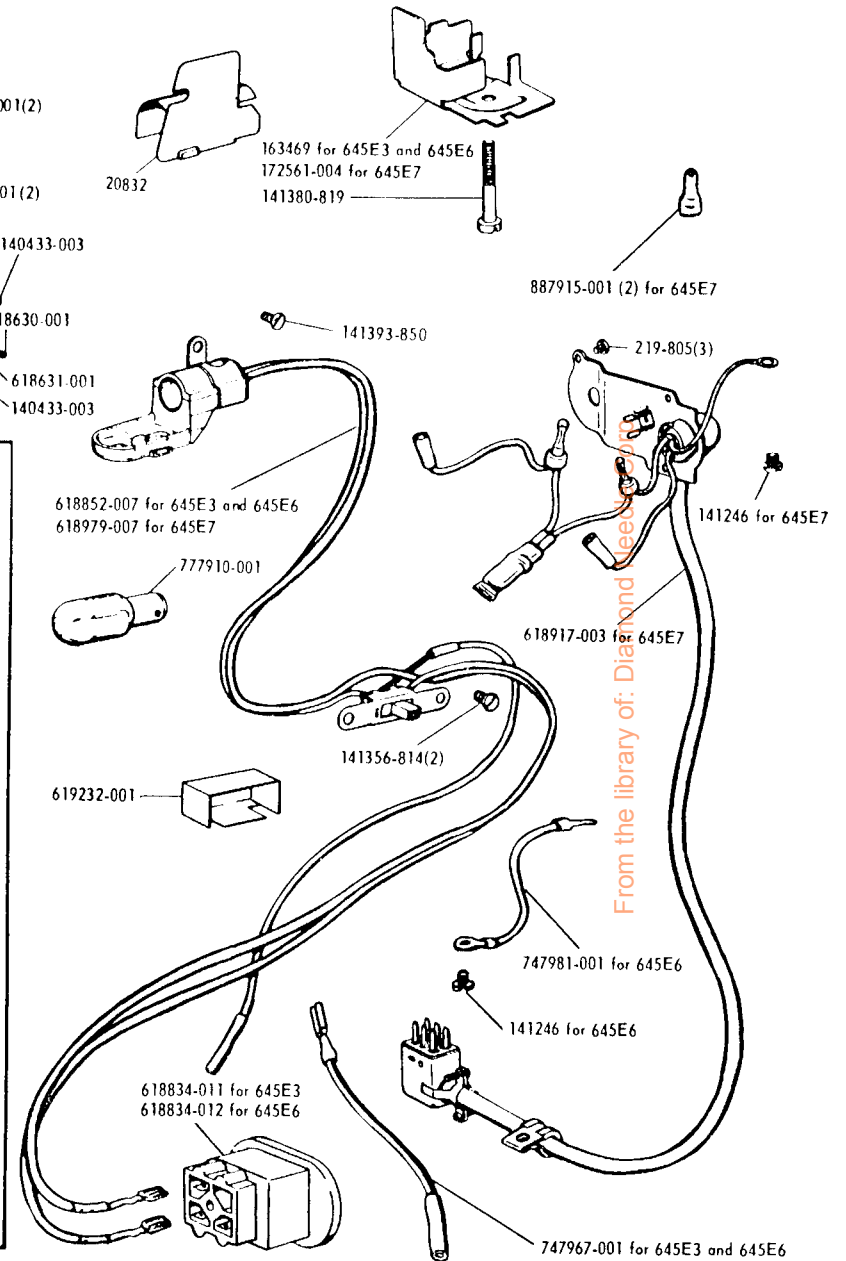
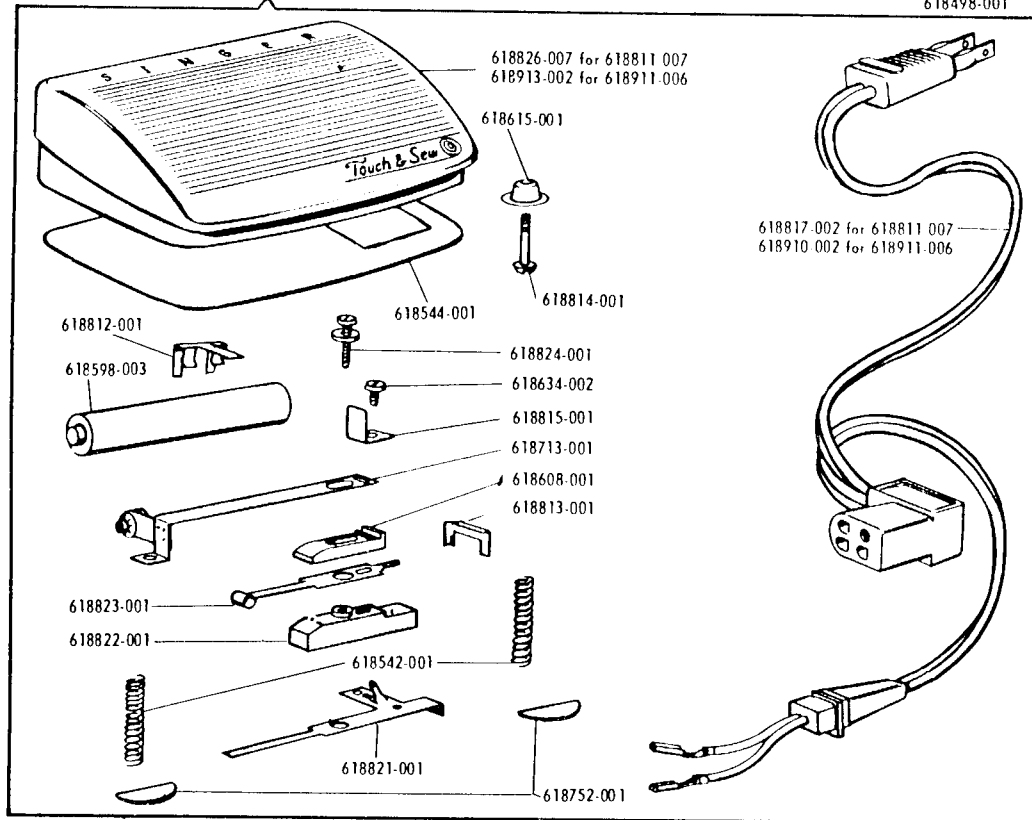


Electrical Parts—Machines Nos. 645E3, 645E6 and 645E7



For complete numbers of PA Motors
See numerical list of Electrical Parts.

618911-006 for 645E6
618811-007 for 645E3



From the library of: Diamond Cleaners, Inc.

